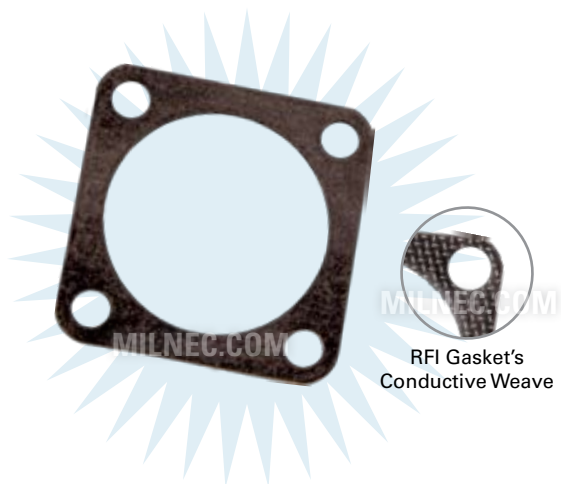


Mounting Gasket

DS Series • MIL-DTL-38999 Series II Style Connectors



DSGE Compatibility

Compatible Brands	Receptacles
MIL-DTL-38999 Series II	MS27472, MS27497, MS27499, MS27508, MS27513
Aero / Conesys	AE208, AE213, AE272, AE297, AE299
Amphenol	JT00, JTPQ00, JT02, JTP02
ITT Cannon	KJ0, KJ2, KJ3, KJ5
Souriau	8T2, 8T3

DSGE - 14

1 BASIC PART NUMBER

- DSGE** Neoprene environmental (weather resistant)
Temp. range -40°F to +230°F (-40°C to +110°C)
- DSGS** Conductive EMI-RFI neoprene, Ni-Cu alloy mesh
Temp. range -40°F to +230°F (-40°C to +110°C)
- DSGL** Fluorosilicone (jet fuel & oil resistant)
Temp. range -70°F to +392°F (-56°C to +200°C)
Per MIL-DTL-25988, Class 1, Grade 6
- DSGD** Conductive EMI-RFI fluorosilicone, Al-Ag filled
Temp. range -70°F to +392°F (-56°C to +200°C)
Shielding effectiveness at 90 dB @ 10 GHz
Per MIL-DTL-83528, Type D

2 SHELL SIZE

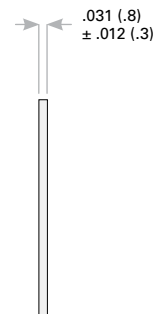
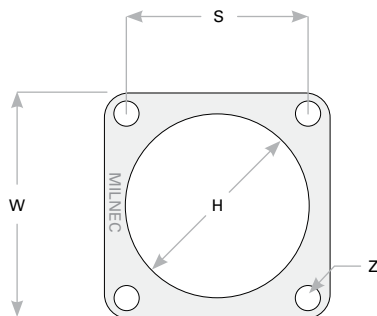
See Gasket Dimensions table below

Note: See part builder (p. R-14) for additional kit options.

Gasket Dimensions

Shell Size	W	S	Z	H
8	.875 (22.2)	.594 (15.1)	.125 (3.2)	.500 (12.7)
10	.937 (23.8)	.719 (18.3)	.125 (3.2)	.687 (17.4)
12	1.031 (26.2)	.812 (20.6)	.125 (3.2)	.772 (19.6)
14	1.125 (28.6)	.906 (23.0)	.125 (3.2)	.937 (23.8)
16	1.250 (31.8)	.969 (24.6)	.125 (3.2)	1.063 (27.0)
18	1.343 (34.1)	1.062 (27.0)	.125 (3.2)	1.187 (30.1)
20	1.467 (37.3)	1.156 (29.4)	.125 (3.2)	1.312 (33.3)
22	1.562 (39.7)	1.250 (31.8)	.125 (3.2)	1.437 (36.5)
24	1.703 (43.3)	1.375 (34.9)	.152 (3.9)	1.562 (39.7)

Dimensions are in inches (mm).



Rev. 1418