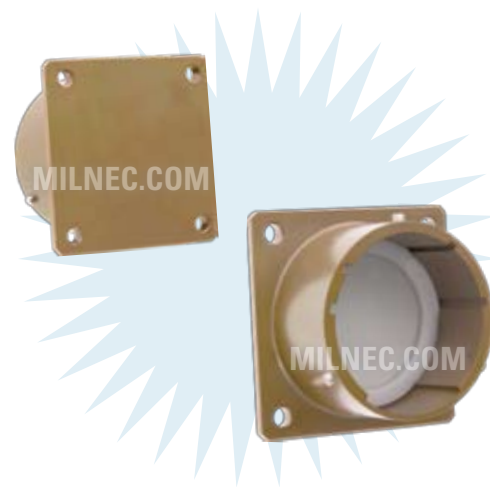


DSCD - 14 W - 03

- 1 **BASIC PART NUMBER**
DSCD Stowage receptacle
- 2 **SHELL SIZE**
See Stowage Receptacle Dimensions table below
- 3 **MATERIAL & FINISH**
N Aluminum, electroless nickel
W Aluminum, olive drab cadmium
- 4 **OPTIONAL ACCESSORY KIT (OMIT FOR NONE)**
02 Protective cover + mounting gasket
03 02 kit + mounting bracket + sealing screws



Note: See part builder (p. R-14) for additional kit options.

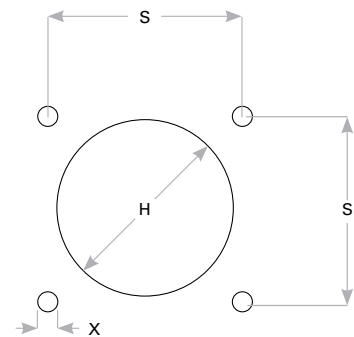
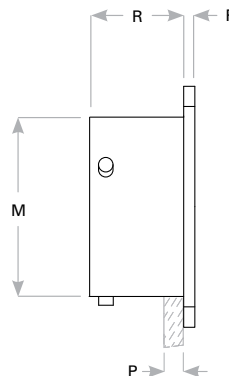
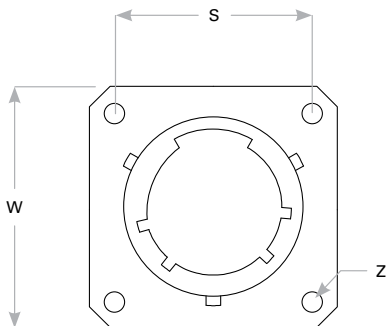
DSCD Compatibility

Compatible Brands	Plugs
MIL-DTL-38999 Series II	MS27473, MS27484
Aero / Conesys	AE273, AE284
Amphenol	JT06, JTG06
ITT Cannon	KJ6, KJG6
Souriau	8T6

Stowage Receptacle Dimensions

Shell Size	W Max	Z Dia	R	F Max	M Max	S	X Dia	H Dia Front Mount
8	.828 (21.0)	.120 (3.0)	.451 (11.5)	.069 (1.8)	.474 (12.0)	.594 (15.1)	.130 (3.3)	.516 (13.1)
10	.954 (24.2)	.120 (3.0)	.451 (11.5)	.069 (1.8)	.591 (15.0)	.719 (18.3)	.130 (3.3)	.625 (15.9)
12	1.047 (26.6)	.120 (3.0)	.451 (11.5)	.069 (1.8)	.751 (19.1)	.812 (20.6)	.130 (3.3)	.750 (19.1)
14	1.141 (29.0)	.120 (3.0)	.451 (11.5)	.069 (1.8)	.876 (22.3)	.906 (23.0)	.130 (3.3)	.906 (23.0)
16	1.234 (31.3)	.120 (3.0)	.451 (11.5)	.069 (1.8)	1.001 (25.4)	.969 (24.6)	.130 (3.3)	1.016 (25.8)
18	1.328 (33.7)	.120 (3.0)	.451 (11.5)	.069 (1.8)	1.126 (28.6)	1.062 (27.0)	.130 (3.3)	1.141 (29.0)
20	1.453 (36.9)	.120 (3.0)	.451 (11.5)	.069 (1.8)	1.251 (31.8)	1.156 (29.4)	.130 (3.3)	1.266 (32.2)
22	1.578 (40.1)	.120 (3.0)	.451 (11.5)	.069 (1.8)	1.376 (35.0)	1.250 (31.8)	.130 (3.3)	1.375 (34.9)
24	1.703 (43.3)	.120 (3.0)	.451 (11.5)	.069 (1.8)	1.501 (38.1)	1.375 (34.9)	.130 (3.3)	1.484 (37.7)

Dimensions are in inches (mm).



Panel Cutout