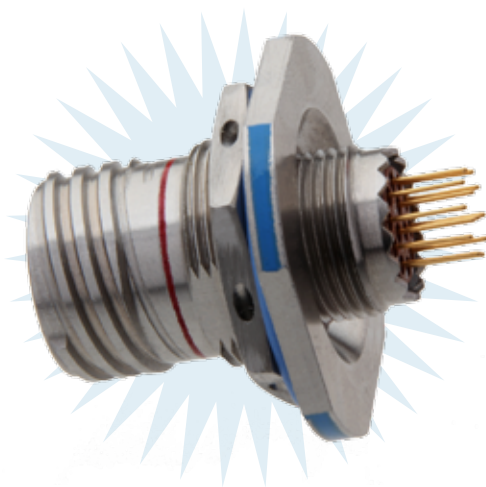


91-56978x-xxx Equivalent

TX Series • MIL-DTL-38999 Series III Style Connectors



91-56978x-xxx Equivalent

Replace your 91-56978x-xxx connector and PC tail contacts with a Milnec equivalent that is 100% compatible with a TV07R in form, fit, and function. If you have new design requirements, please contact your authorized Milnec distributor for a custom PC tail connector.

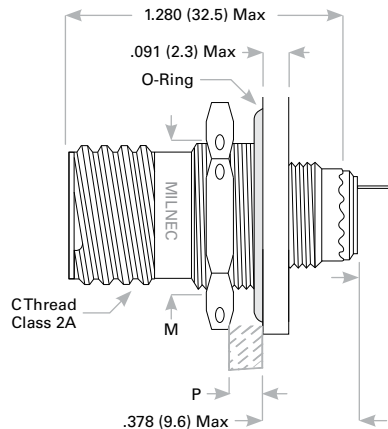
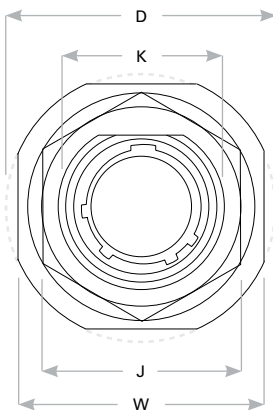
TX07N 13-35 XN - 125 - 02

- 1 **BASIC PART NUMBER**
TX07N (91-56978x-xxx equivalent)
Jam nut receptacle
Aluminum, electroless nickel
48 hour salt spray rating
 - 2 **SHELL SIZE**
See Amphenol Prefix in the Receptacle Dimensions table below (determines shell size)
 - 3 **INSERT ARRANGEMENT**
See Insert Arrangement Selection table, p. 3
 - 4 **CONTACT STYLE**
See Contact Style & Shell Key Codes, p. 2
X PC tail pin contacts
Y PC tail socket contacts
 - 5 **SHELL KEYS**
See Contact Style & Shell Key Codes, p. 2
N NORMAL or A, B, C, D, E
 - 6 **PC TAIL LENGTH DESIGNATOR**
125 See drawing for contact stick out length
- OPTIONAL ACCESSORY KIT (OMIT FOR NONE)**
02 Protective cover

Receptacle Dimensions

Milnec Prefix	Amphenol Prefix	Shell Size	W	D	K	J	C Thread Class 2A	M	P Max Rear Panel*
TX07N9-XXXX	91-569781-XXXX	9	1.062 (27.0)	1.199 (30.5)	.697 (17.7)	.875 (22.2)	.6250-0.1P-0.3L-TS	.669 (17.0)	.125 (3.2)
TX07N11-XXXX	91-569782-XXXX	11	1.250 (31.8)	1.386 (35.2)	.822 (20.9)	1.000 (25.4)	.7500-0.1P-0.3L-TS	.769 (19.5)	.125 (3.2)
TX07N13-XXXX	91-569783-XXXX	13	1.375 (34.9)	1.511 (38.4)	1.007 (25.6)	1.188 (30.2)	.8750-0.1P-0.3L-TS	.955 (24.3)	.125 (3.2)
TX07N15-XXXX	91-569784-XXXX	15	1.500 (38.1)	1.636 (41.6)	1.134 (28.8)	1.312 (33.3)	1.0000-0.1P-0.3L-TS	1.084 (27.5)	.125 (3.2)
TX07N17-XXXX	91-569785-XXXX	17	1.625 (41.3)	1.761 (44.7)	1.259 (32.0)	1.438 (39.5)	1.1875-0.1P-0.3L-TS	1.208 (30.7)	.125 (3.2)
TX07N19-XXXX	91-569786-XXXX	19	1.812 (46.0)	1.949 (49.5)	1.384 (35.2)	1.562 (39.7)	1.2500-0.1P-0.3L-TS	1.333 (33.9)	.125 (3.2)
TX07N21-XXXX	91-569787-XXXX	21	1.938 (49.2)	2.073 (52.7)	1.507 (38.3)	1.688 (42.9)	1.3750-0.1P-0.3L-TS	1.459 (37.1)	.125 (3.2)
TX07N23-XXXX	91-569788-XXXX	23	2.062 (52.4)	2.199 (55.9)	1.634 (41.5)	1.812 (46.0)	1.5000-0.1P-0.3L-TS	1.575 (40.0)	.125 (3.2)
TX07N25-XXXX	91-569789-XXXX	25	2.188 (55.6)	2.323 (59.0)	1.759 (44.7)	2.000 (50.8)	1.6250-0.1P-0.3L-TS	1.709 (43.4)	.125 (3.2)

Dimensions are in inches (mm). † Max panel thickness will ensure proper coupling clearance.



Shell Size 9-17
#16 & #20 Contacts: .200-.244 (5.1-6.2)
#22D Contacts: .206-.258 (5.2-6.6)

Shell Size 19-25
#16 & #20 Contacts: .177-.222 (4.5-5.6)
#22D Contacts: .180-.236 (4.6-6.0)

Rev. 1526

How to Build Your 91-56978x-xxx PC Tail Connector

To find an equivalent to your Amphenol 91-56978x-xxx connector, you must convert your original part number to a Milnec part number. Characters in each part number represent different elements of the connector, including the shell style, finish, contact layout, and contact gender.

Below is an example part number for a TX Series 91-56978x-xxx equivalent that designates, 1) TX Series wall mount receptacle with electroless nickel finish over aluminum, 2) shell size 13, 3) the -35 insert arrangement, 4) pin PC tail contacts with normal keying, and 5) contact base number. ■

TX07N 13-35 XN - 125

① ② ③ ④ ⑤

1 Series Shell Style
TX07N 91-56978x-xxx equivalent

2 Shell Size

91-569781-xxx	Shell size 9
91-569782-xxx	Shell size 11
91-569783-xxx	Shell size 13
91-569784-xxx	Shell size 15
91-569785-xxx	Shell size 17
91-569786-xxx	Shell size 19
91-569787-xxx	Shell size 21
91-569788-xxx	Shell size 23
91-569789-xxx	Shell size 25

3 Insert Arrangement
See Insert Arrangement Selection table on p. 3 for all available options (e.g., xx-xxxxxx-35x)

4 Contact Style & Shell Key Codes
See Contact Style & Shell Key Codes table on this page for all available options (e.g., xx-xxxxxx-xxP)

5 PC Tail Length Designator
125 Designates matching PC tail contacts

Cross Examples:

91-569781-35J = TX07N9-35YB-125
 91-569781-35S = TX07N9-35SN-125
 91-569782-35P = TX07N11-35PN-125
 91-569783-35S = TX07N13-35SN-125
 91-569785-35H = TX07N17-35YA-125
 91-569786-35S = TX07N19-35SN-125
 91-569788-35G = TX07N23-35XA-125
 91-569788-35L = TX07N23-35YC-125

Contact Style & Shell Key Codes

Milnec Code	Amphenol Code	PCB Tail Contact Style	Shell Key
XN	P	Pin	N
XA	G	Pins	A
XB	I	Pins	B
XC	K	Pins	C
XD	M	Pins	D
XE	R	Pins	E
YN	S	Sockets	N
YA	H	Sockets	A
YB	J	Sockets	B
YC	L	Sockets	C
YD	N	Sockets	D
YE	T	Sockets	E

TX

Selecting Your Insert Arrangement

Below is a table that represents every shell and insert arrangement available for the 91-56978x-xxx PC tail connector. You must first identify your Amphenol shell size and insert arrangement in your original part number.

To find a Milnec equivalent, select the matching insert arrangement number from the table below and add it to your Milnec part number. For example, TX07N15-35XN-125 includes the 15-35 insert arrangement with 37 x #22D contacts. ■

Insert Arrangement Selection

Shell Size & Insert Arrangement	Amphenol Shell Size & Insert Arrangement	Milnec Shell Size & Insert Arrangement	Total Contacts	Service Rating	Contact Size		
					#22D	#20	#16
9-35	91-569781-35X	TX07N9-35XX-125	6	M	6		
9-98	91-569781-98X	TX07N9-98XX-125	3	I		3	
11-5	91-569782-5X	TX07N11-5XX-125	5	I		5	
11-35	91-569782-35X	TX07N11-35XX-125	13	M	13		
13-35	91-569783-35X	TX07N13-35XX-125	22	M	22		
15-18	91-569784-18X	TX07N15-18XX-125	18	I		18	
15-19	91-569784-19X	TX07N15-19XX-125	19	I		19	
15-35	91-569784-35X	TX07N15-35XX-125	37	M	37		
17-26	91-569785-26X	TX07N17-26XX-125	26	I		26	
17-35	91-569785-35X	TX07N17-35XX-125	55	M	55		
19-11	91-569786-11X	TX07N19-11XX-125	11	II			11
19-32	91-569786-32X	TX07N19-32XX-125	32	I		32	
19-35	91-569786-35X	TX07N19-35XX-125	66	M	66		
21-35	91-569787-35X	TX07N21-35XX-125	79	M	79		
21-41	91-569787-41X	TX07N21-41XX-125	41	I		41	
23-35	91-569788-35X	TX07N23-35XX-125	100	M	100		
23-55	91-569788-55X	TX07N23-55XX-125	55	I		55	
25-35	91-569789-35X	TX07N25-35XX-125	128	M	128		
25-61	91-569789-61X	TX07N25-61XX-125	61	I		61	

TX